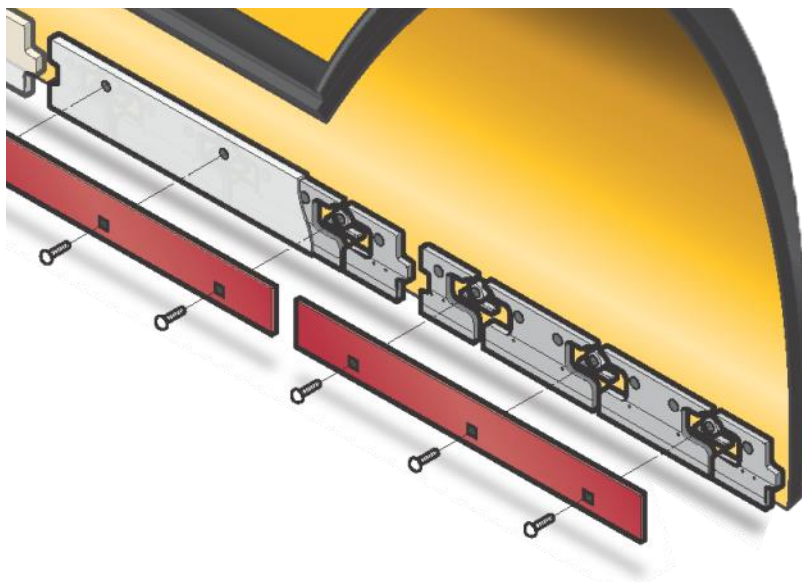


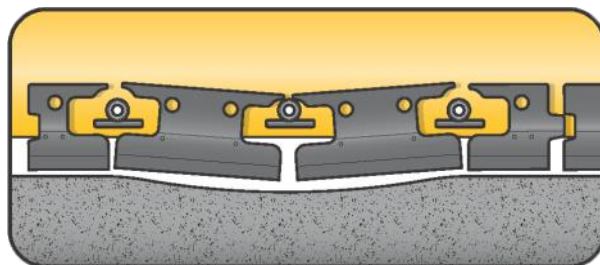
LAKE EFFECT™

The Next Generation in Articulating Plow Blades



Efficient Snow Removal

Independent, carbide insert, steel segments are embedded in urethane allowing them to independently articulate and follow the contour of the road. The unique design features bushings between the segments, allowing a greater degree of movement.



Stronger Steel Segments

Lake Effect™ blades feature full-height steel segments that have 32% more steel than the shorter Joma segment. This extra mass gives the segments the strength to withstand an impact without folding under.



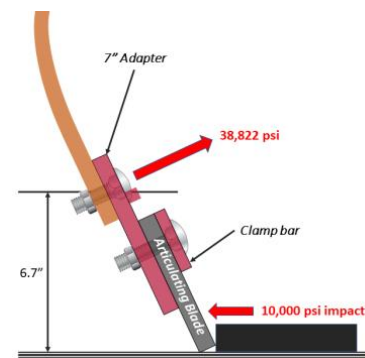
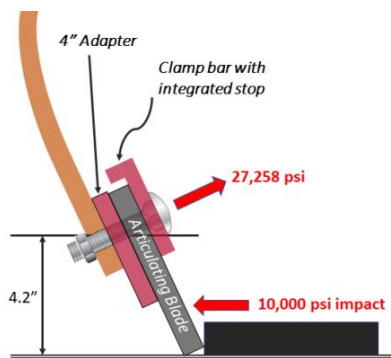
Blade Protector Options

All initial Lake Effect™ kits come with left and right SG Series corner guards. An optional center guard is available.



4" Carbide Insert Adapter

A plow cutting edge can experience an impact force of over 10,000 psi when it hits an object such as a manhole cover. The standard 7" Joma adapter blade acts as a lever and multiplies that force through mechanical advantage to 38,822 psi of bolt-snapping force. The 4" Lake Effect™ adapter blade shortens the lever arm, reducing the force transmitted to the bolts by over 30%!



IRONHAWK®

PHONE: 888.843.8612 FAX: 216.481.1156

EMAIL: sales@ironhawkindustrial.com

PLOW BLADES

Ironhawk® Lake Effect™ Articulating Blade System Components



Lake Effect™ Blade Segment



Ironhawk® 4" Adapter Blade



Ironhawk® 7" Adapter Blade - Standard



Ironhawk® Clamp Bar for 4" Adapter



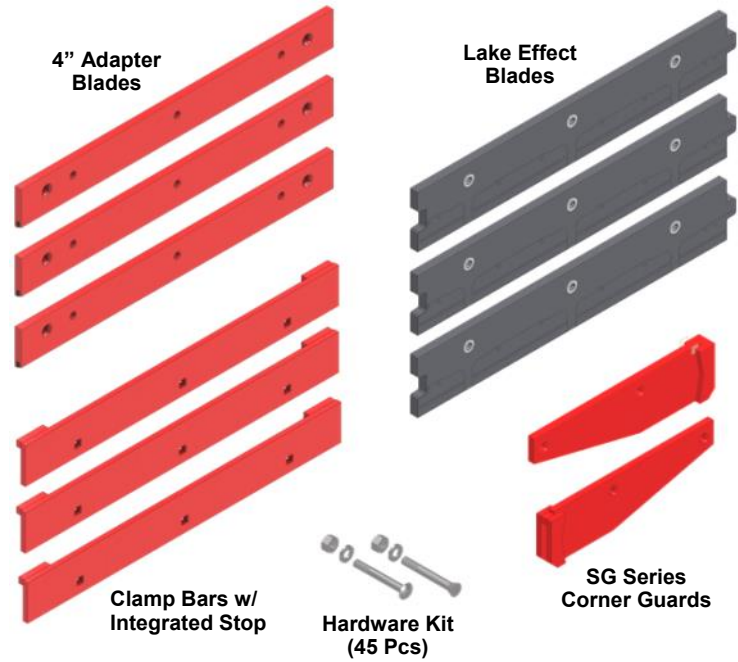
Ironhawk® Clamp Bar - Standard

Description	Part #
36" Lake Effect Blade Segment	LE36
48" Lake Effect™ Blade Segment	LE48
36" Clamp Bar - Standard	LE36CB
48" Clamp Bar - Standard	LE48CB
36" Clamp Bar - for 4" Adapter	LE36CB-TE
48" Clamp Bar - for 4" Adapter	LE48CB-TE
36" Ironhawk® Adapter Blade - 4"	AB36A4C
48" Ironhawk® Adapter Blade - 4"	AB48A4C
36" Ironhawk® Adapter Blade - 7"	AB36A7
48" Ironhawk® Adapter Blade - 7"	AB48A7
Lake Effect Bolt Kit	KIT-LE12R

LAKE EFFECT™ BLADE SYSTEM KITS

We have bundled our Lake Effect™ Articulating Blade Systems into kits. A single part number will get you everything needed, including:

- (3) Lake Effect™ blade segments
- (3) 4" Adapter Blade
- (3) Clamp Bar with Integrated Stop
- (2) Lake Effect™ SG Series Corner Guards
- (1) Grade 8 Hardware Kit
- (1) Installation Instructions
- (1) Systems are individually crated



Description	Part #
8 ft Lake Effect Articulating Blade System - Initial Set-up Kit	PBA-LE8-TEC
9 ft Lake Effect Articulating Blade System - Initial Set-up Kit	PBA-LE9-TEC
10 ft Lake Effect Articulating Blade System - Initial Set-up Kit	PBA-LE10-TEC
11 ft Lake Effect Articulating Blade System - Initial Set-up Kit	PBA-LE11-TEC
12 ft Lake Effect Articulating Blade System - Initial Set-up Kit	PBA-LE12-TEC
14 ft Lake Effect Articulating Blade System - Initial Set-up Kit	PBA-LE14-TEC
8 ft Lake Effect Articulating Blade System - Replacement Kit	PBA-LE8R-TEC
9 ft Lake Effect Articulating Blade System - Replacement Kit	PBA-LE9R-TEC
10 ft Lake Effect Articulating Blade System - Replacement Kit	PBA-LE10R-TEC
11 ft Lake Effect Articulating Blade System - Replacement Kit	PBA-LE11R-TEC
12 ft Lake Effect Articulating Blade System - Replacement Kit	PBA-LE12R-TEC
14 ft Lake Effect Articulating Blade System - Replacement Kit	PBA-LE14R-TEC