

# LAKE EFFECT™

## Articulating Plow Blade Assembly

### Benefits of the Lake Effect™ Plow Blade Assembly

**Reduced Shock and Vibration**  
that is transmitted from the plow blade to the moldboard and plowing vehicle.

Vibration is the chief cause of many structural failures and also contributes to operator fatigue.

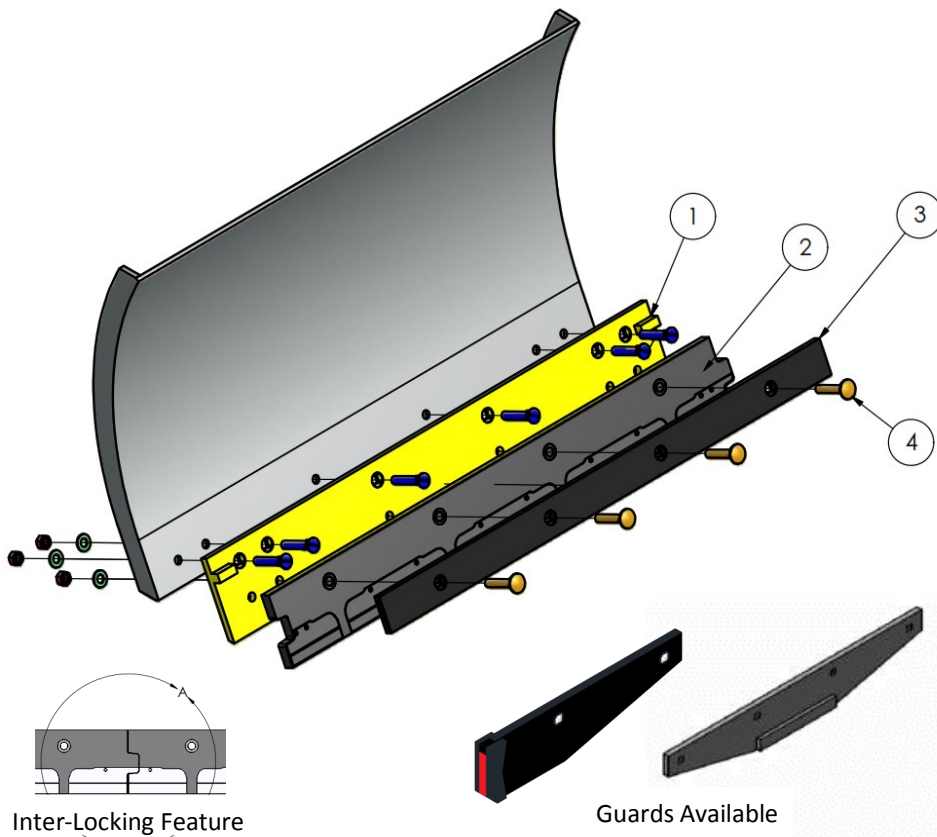
**Reduced Noise**  
Improves driver experience. Noise is another cause of operator fatigue.

**Efficient**  
More effective road cleaning due to the plow blade conforming to the contour of the road surface.

**Increased Blade Life**  
The Lake Effect™ blade contains a larger, 70.1 gm. carbide insert.

A larger insert = longer blade life

**Inter-Locking Blade Design**



Inter-Locking Feature

Guards Available

- |   |  |   |  |
|---|--|---|--|
| <p><b>1</b> Carbide Adaptor Blade</p> <ul style="list-style-type: none"> <li>• Provides support to the Lake Effect Blade</li> <li>• Protects Moldboard</li> </ul> | <p><b>2</b> Lake Effect™ Blade</p> <ul style="list-style-type: none"> <li>• Larger Carbide Insert</li> <li>• Longer Wear Life</li> </ul> <p>Made in the<br/><b>USA</b></p> | <p><b>3</b> Clamp Bar</p> <ul style="list-style-type: none"> <li>• Secures the Lake Effect™ Blade to the Adaptor Blade</li> </ul> | <p><b>4</b> Hardware (Grade 8)</p> <ul style="list-style-type: none"> <li>• Structural Flat Washer &amp; Stover Locknut Recommended</li> </ul> |
|---|--|---|--|